

Unique push button device that allows the user to adjust heel height for shoe changes or bare foot walking. 25mm range of adjustment.

Brio

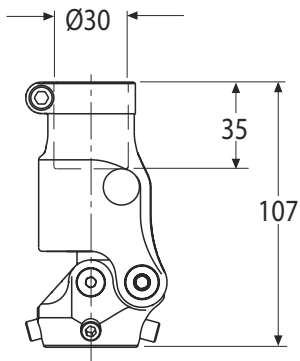
Specifications

Max. User Weight/Activity Level:	100kg/ 1-4 125kg/ 1-3
Component Weight:	395g
Build Height:	107mm
System Diameter:	30mm

Part Number

BRIO30

Build Height



Suitable for outdoor use